



BR-M465 PRO

6.5" MIDRANGE

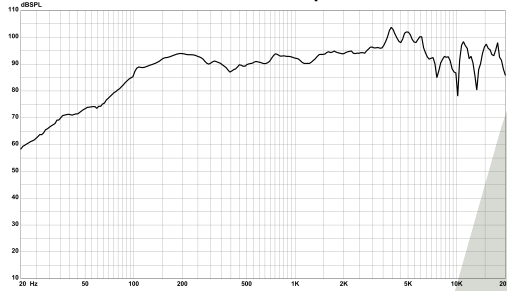
FERRITE MAGNET STEEL BASKET TRANSDUCER

- 1.5 INCH EDGEWOUND CCA VOICE COLL
- 92.6 dB/SPL SENSITIVITY
- 100 WATT PROGRAM POWER HANDLING
- FEM OPTIMIZED MOTOR AND SUSPENSIONS
- OPTIMIZED COOLING SYSTEM
- COPPER DEMODULATION RING
- RESONANCE FREE AND HEAVY DUTY BASKET DESIGN
- DUAL ROLL SUGGOUND

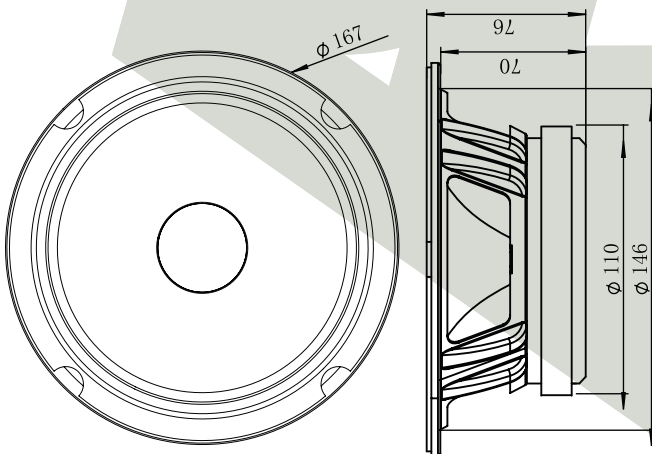
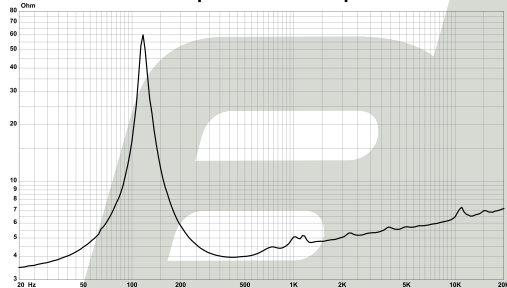
GENERAL SPECIFICATIONS

Overall Dimensions	mm	167*76
RMS POWER	W	100
MAX POWER	W	200
Sensitivity	dB	92.6
Frequency Response	Hz	115-6.5K
Voice Coil Diameter	mm	38.6
Nominal Impedance	ohms	4
DC Resistance	ohms	3.2
Magnet (OZ)	Ferrite	
Basket material	Stamped Steel	
Coil Material	Ccw	
Former material	Kapton	
Cone Material	Paper	
Surround material	Polycotton	
Voice coil winding height	mm	8.4
Gap height	mm	6
Xmax	mm	1.2
BL Product	N.A	6.27
Net weight	kg	1.85

SPL vs Freq



Impedance vs Freq



T-S PARAMETERS

Fs	Hz	117
Mms	g	10.52
Cms	mm/N	0.17
Qms		8.23
Qes		0.63
Qts		0.58
Vas	L	4.63
Sd	cm ²	136.8
No	%	1.15