

BR-365M

6.5" MIDRANGE

FERRITE MAGNET STEEL BASKET TRANSDUCER

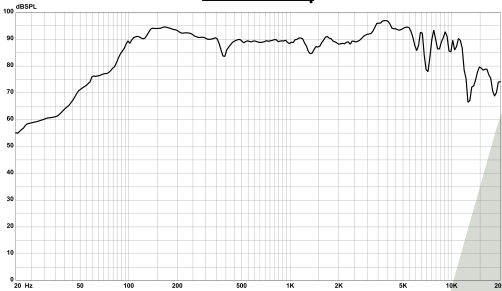


- 1.5 INCH EDGEWOUND CCA VOICE COLL
- 92.8dB/SPL SENSITIVITY
- 125 WATT PROGRAM POWER HANDLING
- FEM OPTIMIZED MOTOR AND SUSPENSIONS
- OPTIMIZED COOLING SYSTEM
- DUAL ROLL SURROUND
- RESONANCE FREE AND HEAVY DUTY BASKET DESIGN

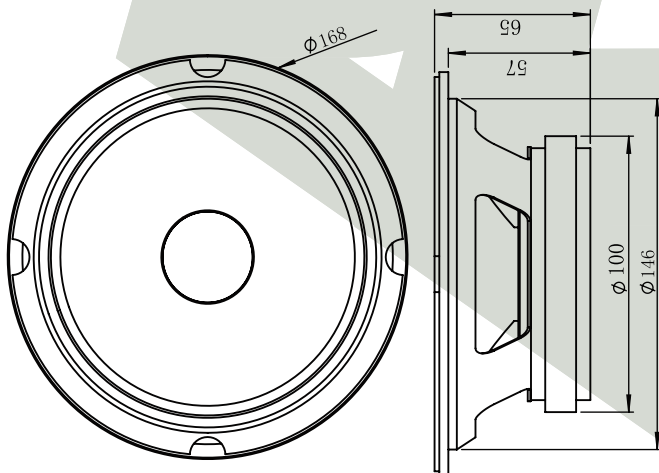
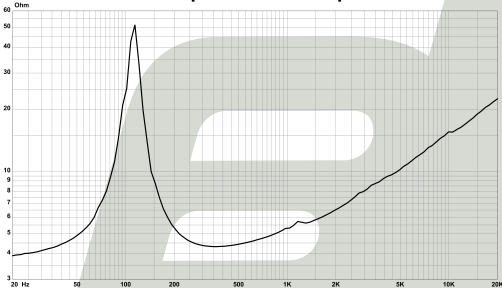
GENERAL SPECIFICATIONS

Overall Dimensions	mm	168*65
RMS POWER	W	125
MAX POWER	W	250
Sensitivity	dB	92.8
Frequency Response	Hz	110-6 K
Voice Coil Diameter	mm	38.6
Nominal Impedance	ohms	4
DC Resistance	ohms	3.6
Magnet (OZ)	Ferrite	
Basket material	Stamped Steel	
Coil Material	Ccw	
Former material	Kapton	
Cone Material	Paper	
Surround material	Polycotton	
Voice coil winding height	mm	10.6
Gap height	mm	6
Xmax	mm	2.3
BL Product	N.A	5.39
Net weight	kg	1.33

SPL vs Freq



Impedance vs Freq



T-S PARAMETERS

Fs	Hz	110
Mms	g	8.39
Cms	mm/N	0.24
Qms		5.51
Qes		0.73
Qts		0.64
Vas	L	6.42
Sd	cm ²	136.8
No	%	1.15